

4

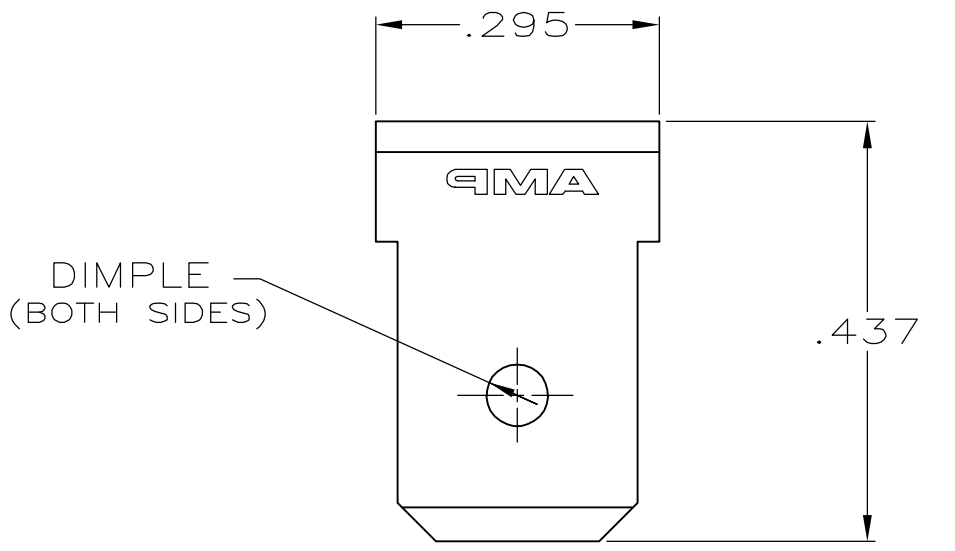
3

2

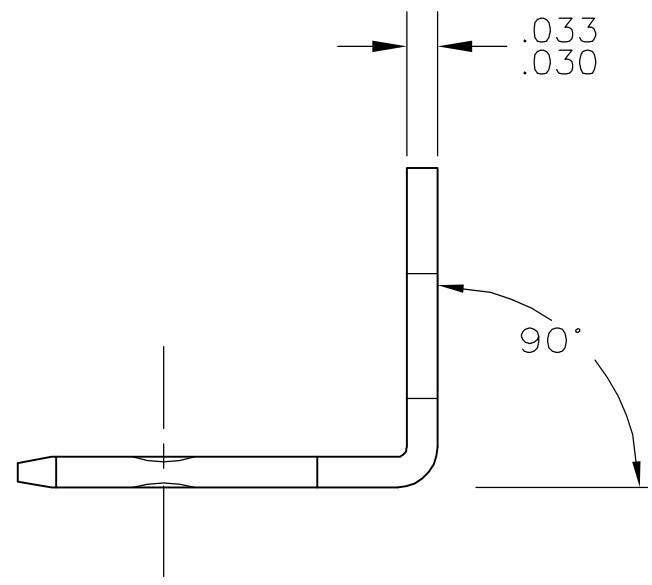
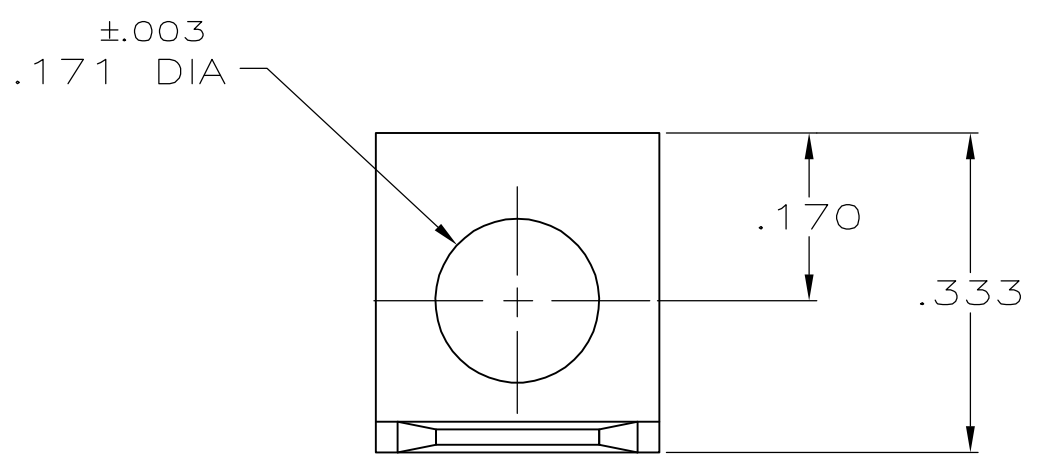
1

THIS DRAWING IS UNPUBLISHED. RELEASED FOR PUBLICATION
 © COPYRIGHT - BY TYCO ELECTRONICS CORPORATION. ALL RIGHTS RESERVED.

| LOC | DIST | REVISIONS | | | |
|-----|------|-------------|-----------------------|---------|--------|
| P | LTR | DESCRIPTION | DATE | DWN | APVD |
| AF | 50 | F | REV PER ECR-05-017287 | 06APR06 | HMR JR |



1 SUPPLIED IN LOOSE PIECE.



| | |
|--------|---------|
| TIN | 42214-2 |
| - | 42214-1 |
| FINISH | PART NO |

| | | | | | | | | | | | | |
|--|-----------|--------------|------------|-----------|---|----|-----------|-------|------------|---------|---------------|---|
| THIS DRAWING IS A CONTROLLED DOCUMENT. | | DWN | JR RUTH | 3/8/95 | Tyco Electronics Corporation Harrisburg, PA 17105-3608 | | | | | | | |
| DIMENSIONS: INCHES | | CHK | MS FEHER | 3/8/95 | | | | | | | | |
| | | APVD | P DESANTIS | 3/8/95 | | | | | | | | |
| TOLERANCES UNLESS OTHERWISE SPECIFIED: 0 PLC ± - 1 PLC ± - 2 PLC ± - 3 PLC ± .015 4 PLC ± - ANGLES ± - | | PRODUCT SPEC | | NAME | | | | | | | | |
| MATERIAL | 082 BRASS | FINISH | | SEE TABLE | TAB, FASTON, .250 SERIES | | | | | | | |
| CUSTOMER DRAWING | | WEIGHT | - | | SIZE | A3 | CAGE CODE | 00779 | DRAWING NO | C-42214 | RESTRICTED TO | - |
| | | SCALE | | 5:1 | SHEET | 1 | OF | 1 | REV | F | | |